

KIMBERLY-CLARK* QUICK-TAP* Paracentesis Tray

*Tap into Convenience
and Reliability!*



The KIMBERLY-CLARK* QUICK-TAP* Paracentesis Tray provides all the components necessary to complete a procedure in one convenient package with the widest range of choice and versatility for quick and efficient drainage of ascites:

- **SIMPLE** – Specifically designed for large volume paracentesis, the easy to use components eliminate time-consuming and difficult assembly
- **QUICK** – Procedure time is minimized as the four offset drainage holes maximize ascitic fluid removal and decrease the likelihood of the bowel to become adherent to the cannula and occlude
- **RELIABLE** – The stainless steel cannula will not kink, collapse or sheer, negating the need for manipulation or additional punctures
- **COMPLETE** – The comprehensive tray includes all components necessary to complete a paracentesis procedure and is adaptable to wall suction, portable pump or vacuum bottle

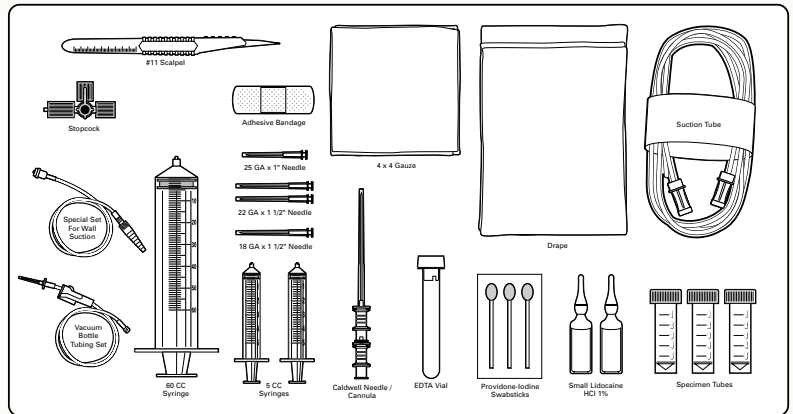
From medical devices to surgical apparel – everything we do, everything we make is focused on protecting healthcare professionals and patients. This means we work every day to develop and deliver quality products and to provide responsive customer service that you can depend on to meet your protection needs.

QUICK-TAP® Paracentesis Tray

Stock #	Description
61446	18ga x 2.25"
61447	18ga x 3.25"
61448	18ga x 4.75"
61449	15ga x 2.25"
61450	15ga x 3.25"
61451	15ga x 4.75"

Tray Components:

- 1 ea Caldwell needle/cannula
- 3 ea specimen tubes
- 3 ea specimen tube labels
- 2 ea 5ml ampule HCL
- 1% Lidocaine Solution
- 2 ea 5ml syringes
- 3-way stopcock,
- #11 scalpel
- 60ml syringe
- 3 ea Povidone Iodine swabsticks
- 1 ea adhesive bandage
- 1 ea 18ga x 1.5" needle
- 2 ea 22ga x 1.5" needle
- 1 ea 25ga x 1.0" needle,
- 1 ea vacuum bottle tubing set
- 1 ea 8' suction tubing,
- 1 ea wall suction adapter set
- 1 ea CSR wrap
- 5 ea 4x4 gauze pads
- 1 ea needle stick pad
- 1 ea EDTA vial



QUICK-TAP® Paracentesis Kit

Stock #	Description
60435	15ga x 3.25"

Kit Components:

- 1 ea 15ga x 3.25" Caldwell needle / cannula
- 1 ea tubing set with roller clamp
- 1 ea 16ga x 1.5" vacuum bottle needle
- 1 ea stepped connector with luer fitting
- 1 ea 5ml syringe
- 1 ea 22ga x 1.5" needle
- 1 ea 25ga x 1.0" needle
- 1 ea 5 ml ampule HCL
- 1% Lidocaine Solution
- 1 ea 60ml syringe
- 1 ea 3-way stopcock
- 1 ea 24" x 24" CSR wrap

Caldwell Needle/Cannula

Stock #	Description
61440	18ga x 2.25"
61441	18ga x 3.25"
61442	18ga x 4.75"
61443	15ga x 2.25"
61444	15ga x 3.25"
61445	15ga x 4.75"

The Caldwell needle/cannula incorporates a radiused stainless steel cannula which will not kink, collapse or sheer, four offset distal drainage holes to promote efficient fluid flow and burnished measurement markings for accurate depth identification. Available in multiple sizes and lengths.



Commitment to Excellence

If, for any reason, our products do not meet your expectations, please let us know your comments or suggestions for improvement. Your input will result in a concerted effort on our part to meet your requirements. Our goal is to provide quality products that completely meet your needs time after time.

For more information, please call 1-800-528-5591 in the United States, +801 572 6800 internationally, or visit our web site at www.kchealthcare.com.

* Registered Trademark or Trademark of Kimberly-Clark Worldwide, Inc. Roswell, GA 30076 or its affiliates. © 2002 KCWW. All rights reserved.

Printed on CLASSIC CREST™ Cover, Avon Brilliant White, 65 lb. produced by Kimberly-Clark's Neenah Paper.

Z0410 U6672

Protection. For life.

